

MUELLER MILK COOLER MODEL U - OPEN TANK



**RELIABLE
AND LOW-
COST MILK
COOLING FOR
THE DAIRY
FARMER.**

FEATURES MUELLER U-TANKS:

Horizontal semi-cylindrical tank, with self-supporting double jacket structure, with opening cover, consisting of:

- Inner tank, stainless steel AISI 304,
- Very efficient full flow evaporator,
- Watertight welded outer tank, stainless steel AISI 304,
- Insulation with high density non CFC polyurethane foam,
- Cover, stainless steel AISI 304 with 2 filling holes Ø 200 mm with gas springs for easy opening,
- Four adjustable legs,
- Outlet valve with Ø 51 SMS thread with plastic cover,
- Reversible lid.

COOLING TANK PERFORMANCE

- Suitable for 2 and 4 milkings
- Performance according to ISO 5708 2AII / 2BII / 4BII
- Excellent insulation: without cooling for 12 hours, milk initially at 4°C does not exceed 6.7°C (which results in an ambient temperature of 32°C)
- Complies with technical standards ISO 5708 and EN 13732

ELECTRONIC CONTROL UNIT

- Control interfaces (stop, refrigeration start, continuous agitation start)
- Control of the cooling and agitation
- Voltage protection relay
- Phase sequence protection
- Overload relay for 4 control lights
- Built-in fuse
- Compressor protection thermal relay
- Standard electric power: 400V / 3P+N / 50Hz (Optional 60Hz and/or single phase (230V) compressor)

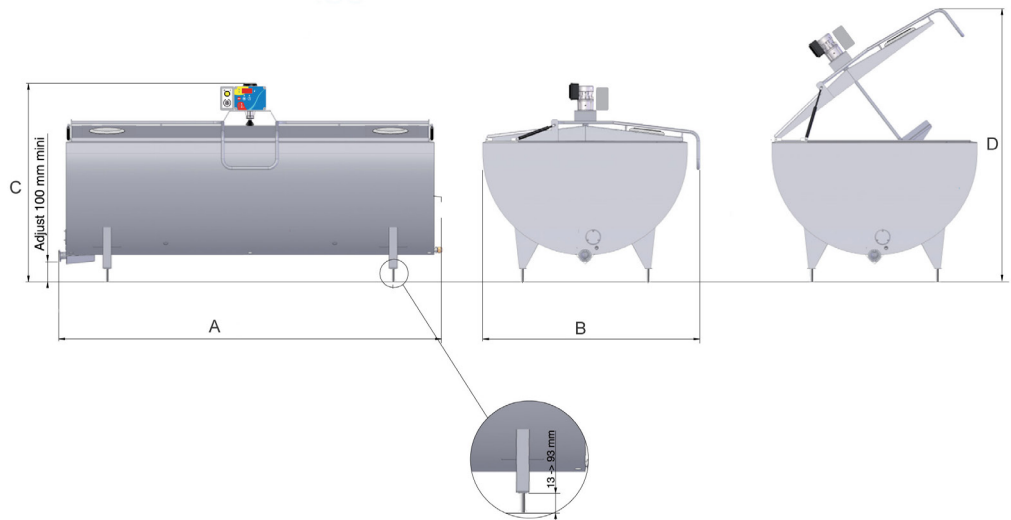
AGITATION

- Durable agitator motor, made in EU
- Automatic safety stop of agitator when opening cover
- Automatic programmed agitation timing and continuous agitation

CONDENSING UNIT

- Milk cooling tank supplied with high performance condensing unit
- Suitable for high ambient temperatures
- Easy to service
- Standard refrigerant: R404a (other refrigerants optional)
- Condensing unit separate from tank, not built-on the tank
- Installation materials are provided

TECHNICAL SPECIFICATIONS



Model	U-2000
Nominal volume	2,000 L
Gross capacity	2,100 L
Tank length (A)	2,660 mm
Width (B)	1,565 mm
Height with closed cover (C)*	1,640 mm
Height with open cover (D)	2,230 mm
Tank weight (w/o condensing unit)	280 kg

* Including height of the agitator, control panel and with legs extended to maximum height.

Electrical Data (maximum connected load)	
Condensing unit	5,7 kW
Agitator motor	70 W

Specifications of condensing units*	
Make of compressor	Copeland
Cooling capacity (min)	9,75 kW
Compressor type	Reciprocating, tri-phase 400V** (single phase 230V optional)
Length	1,450 mm
Height	765 mm
Width	450 mm
Weight of condensing unit	120 kg

** While single phase (230V) condensing unit is optionally available for this tank, we recommend tri-phase (400V). Single phase will require two scroll condensing units.